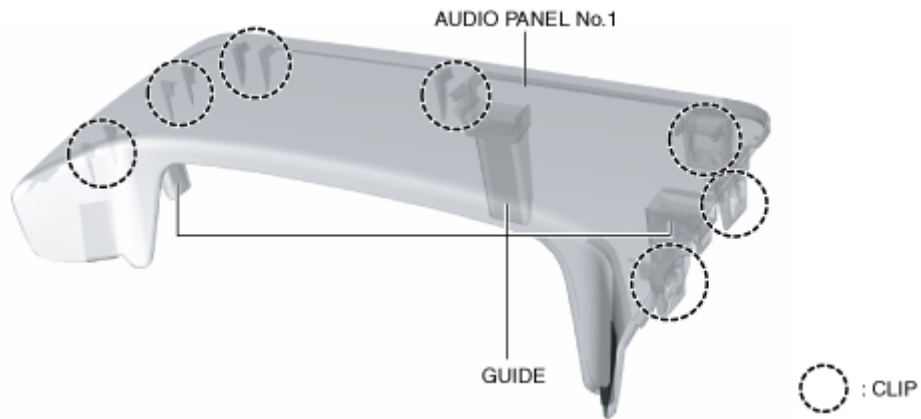


AUDIO PANEL No.1 REMOVAL/INSTALLATION

id091700606500

Audio panel No.1 connection parts view

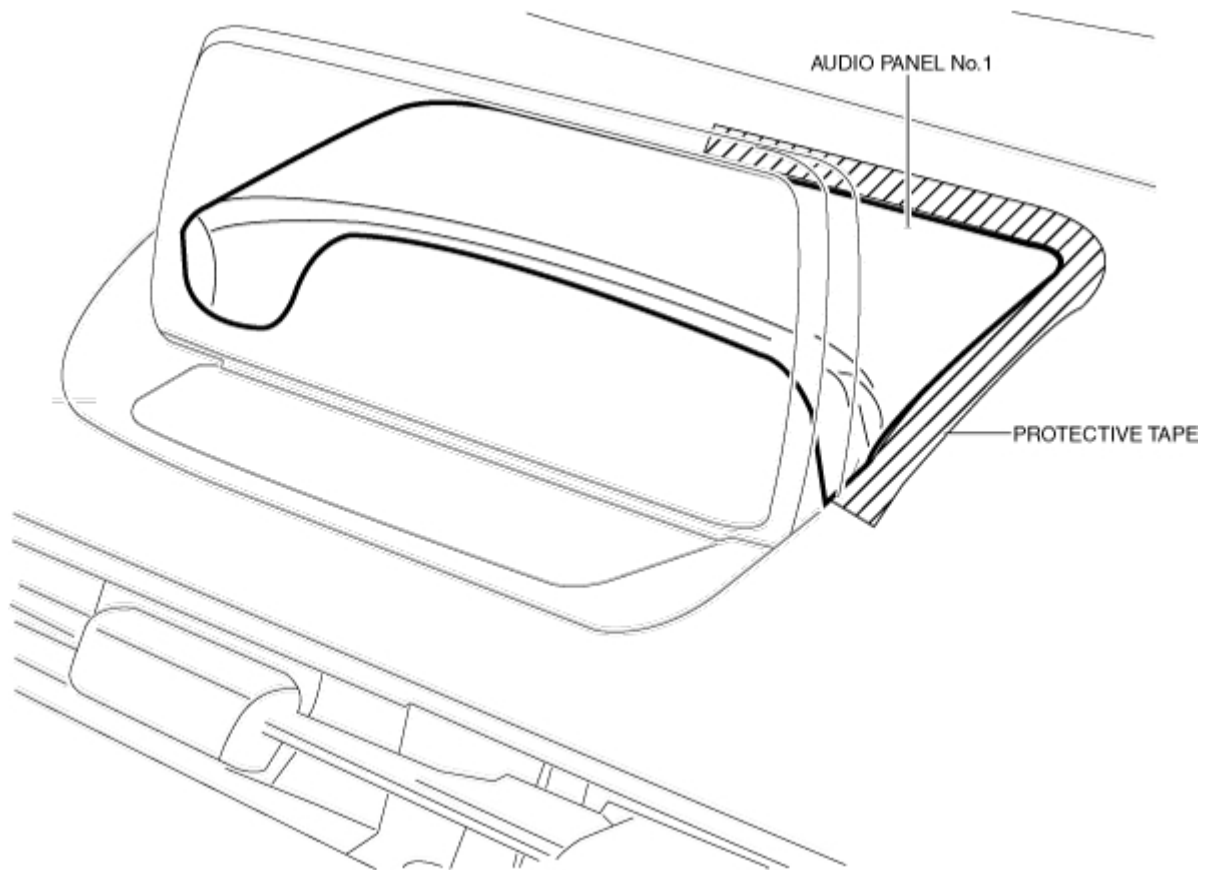


ac3wzw00002835

Caution

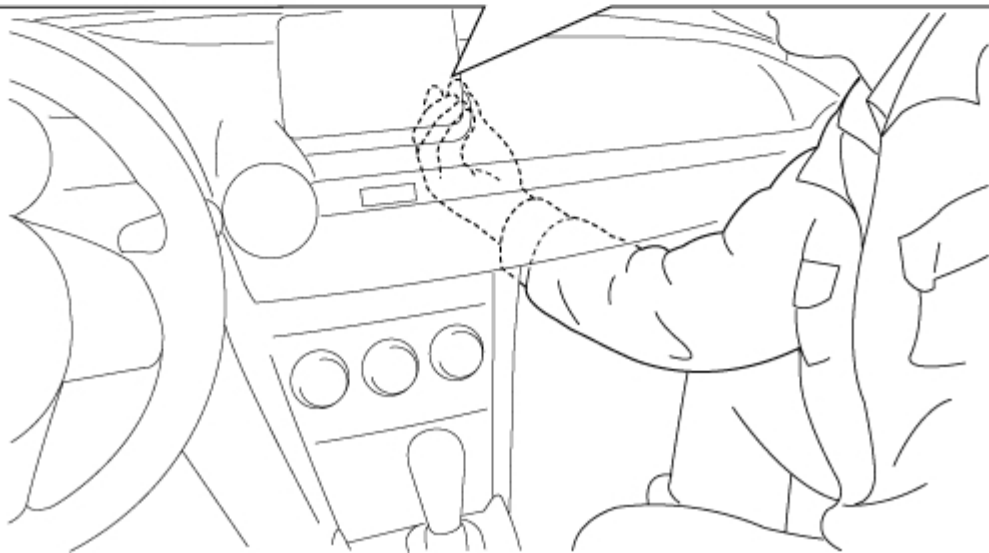
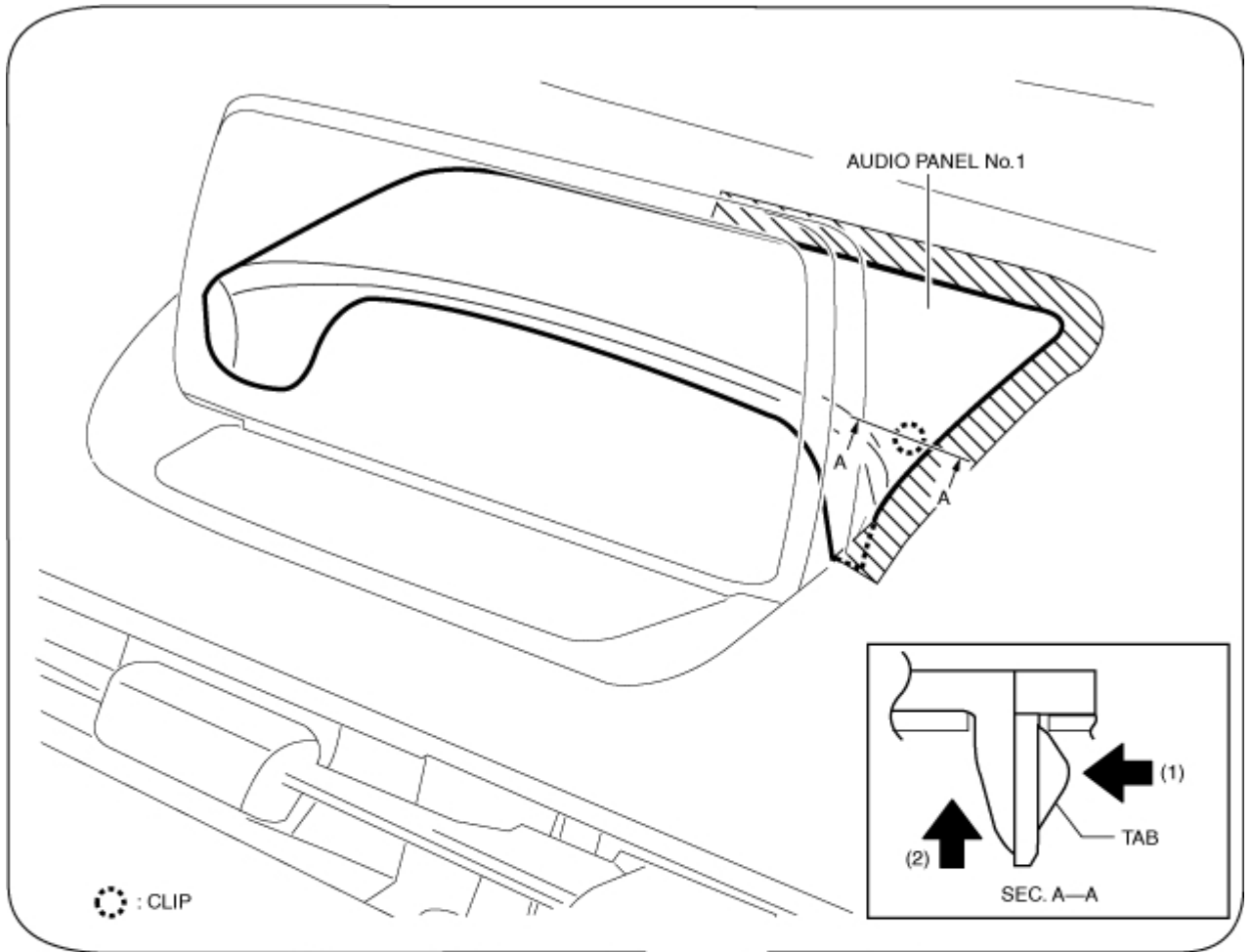
- If work using protective tape is performed in an area where the temperature can increase drastically or the protective tape is left adhered for a long period of time, tape adhesive could remain area where the protective tape was applied when it is peeled off. When applying protective tape, avoid areas where the temperature of the tape can increase drastically and peel off the protective tape soon after the work is completed.

1. To prevent scratches or damage, affix protective tape to the position shown in the figure of the dashboard.



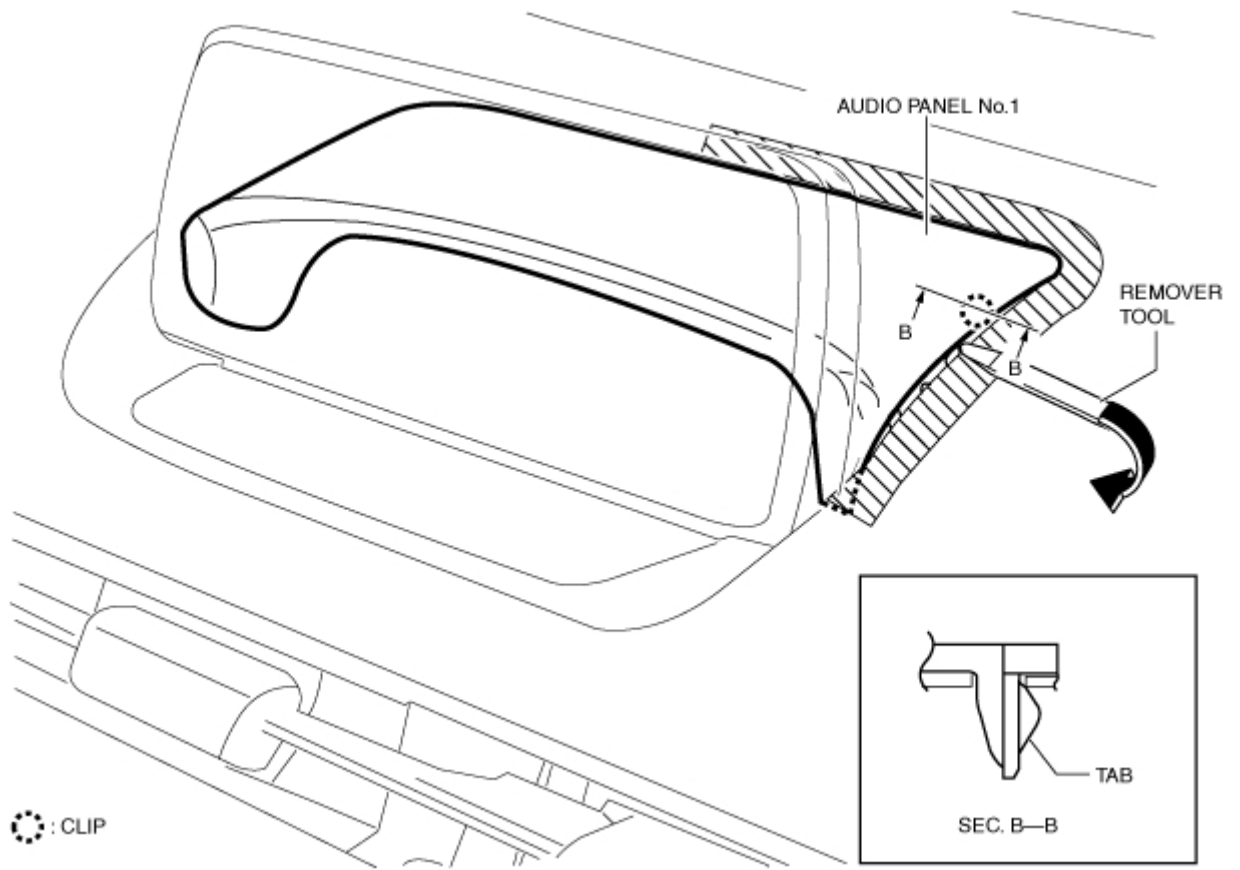
ac3wzw00002836

2. Remove the glove compartment. (See [GLOVE COMPARTMENT REMOVAL/INSTALLATION.](#))
3. Insert your hand from the glove compartment opening and while pressing the clip tab in the direction of arrow (1), move the clip in the direction of arrow (2) to detach the clip from the dashboard, and assure a clearance to insert the remover tool.



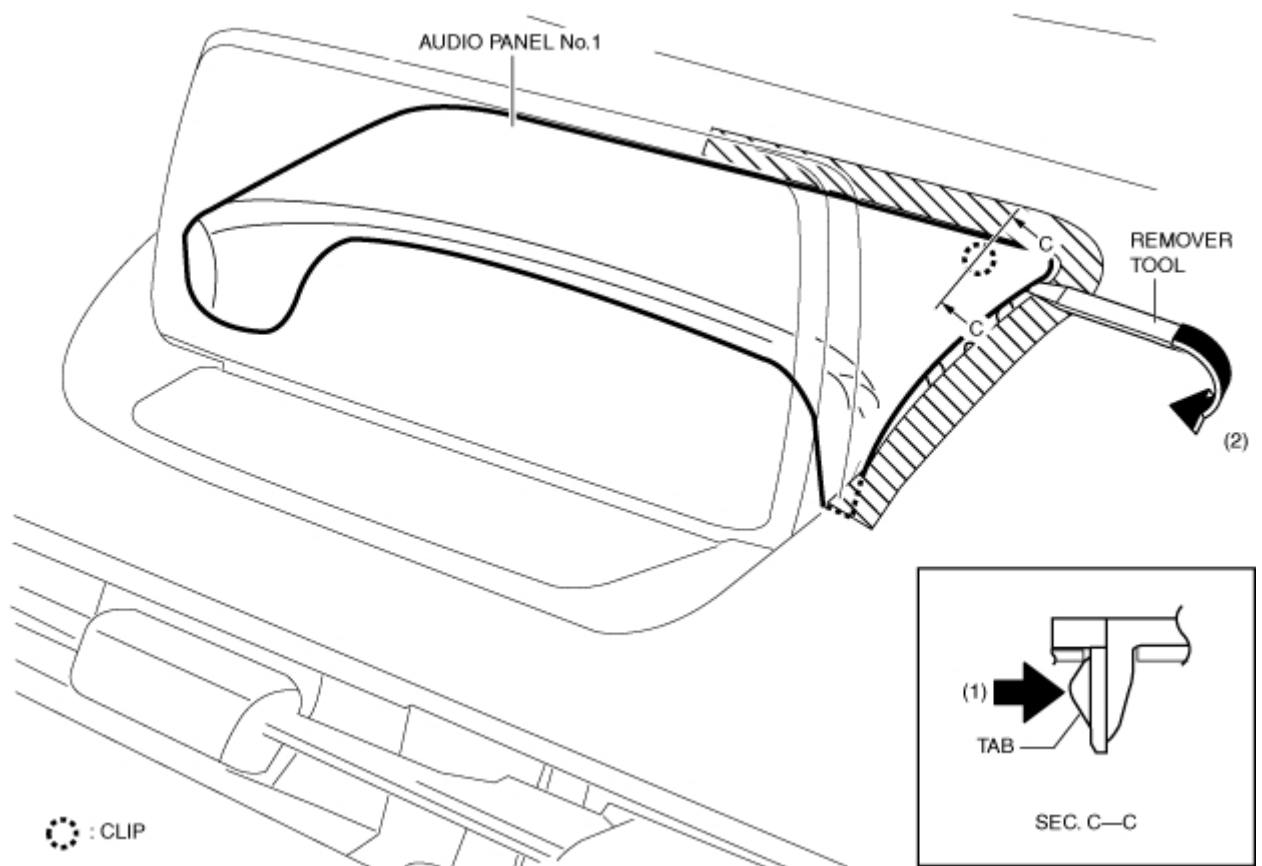
ac3wzw00002837

4. Insert the remover tool into the clearance assured in Step 3, move the remover tool in the direction of the arrow shown in the figure and lift up the audio panel No.1.



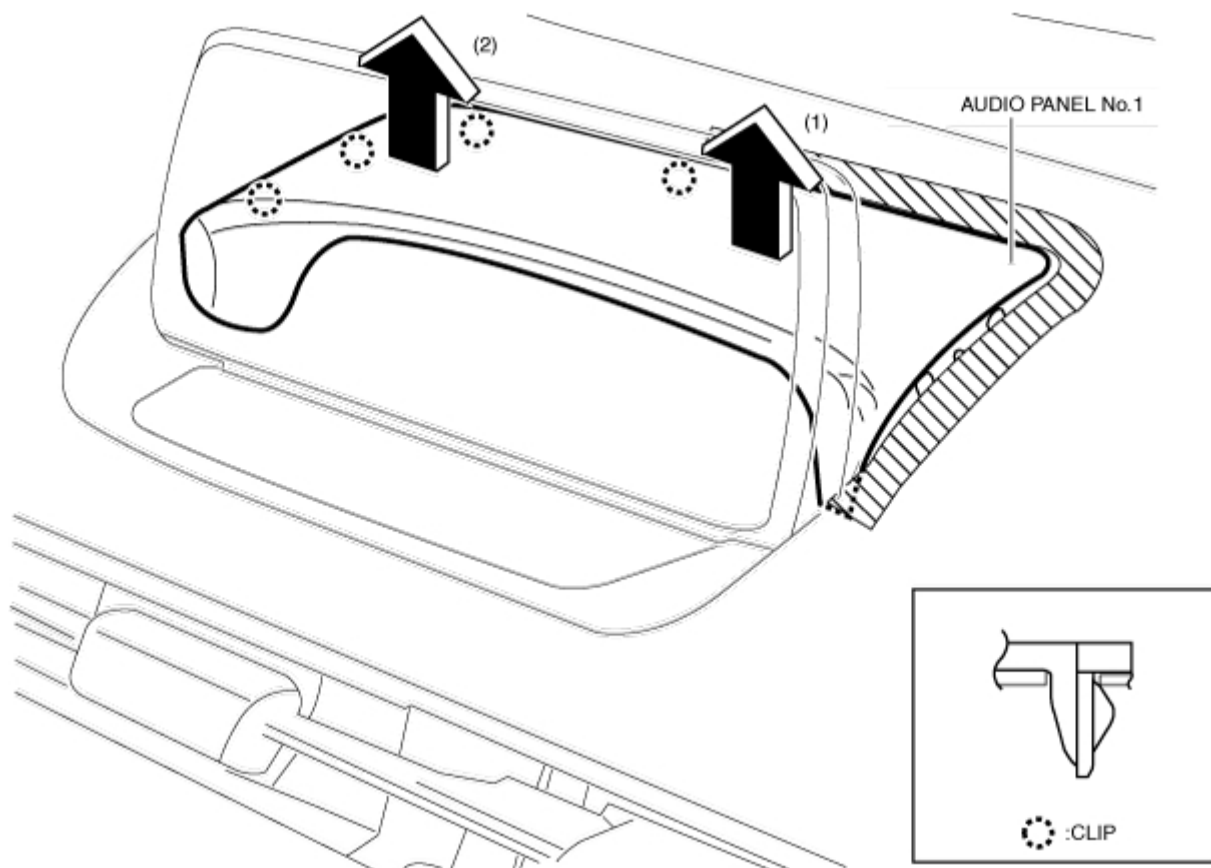
ac3wzw00002838

5. Insert the remover tool into the position shown in the figure.



6. Insert your hand through the glove compartment opening and while pressing the clip tab in the direction of arrow (1) shown in the figure, move the remover tool in the direction of arrow (2) and detach the clip from the dashboard.

7. Remove audio panel No.1 by pulling it in the order of arrows (1) and (2) shown in the figure.



8. Install in the reverse order of removal.