

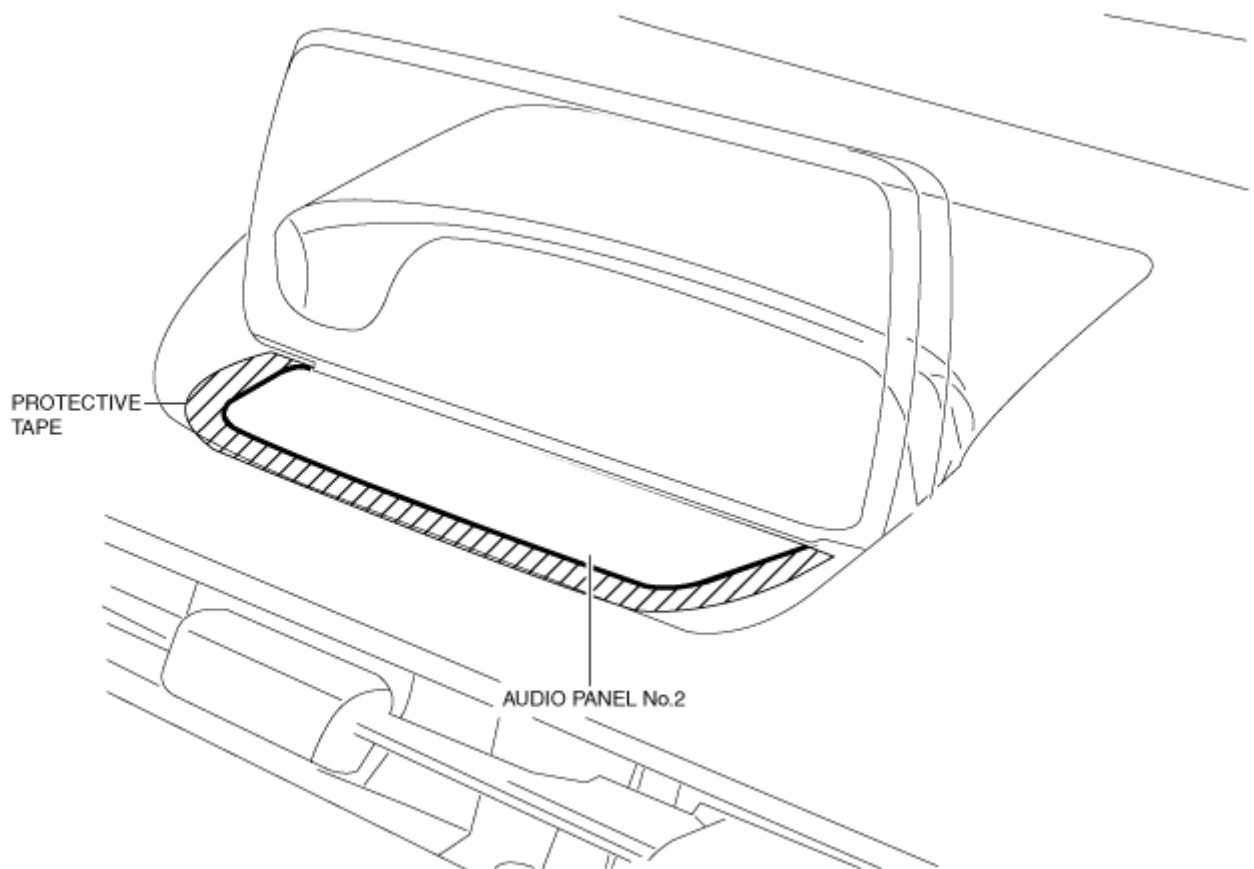
AUDIO PANEL No.2 REMOVAL/INSTALLATION

id091700607200

Caution

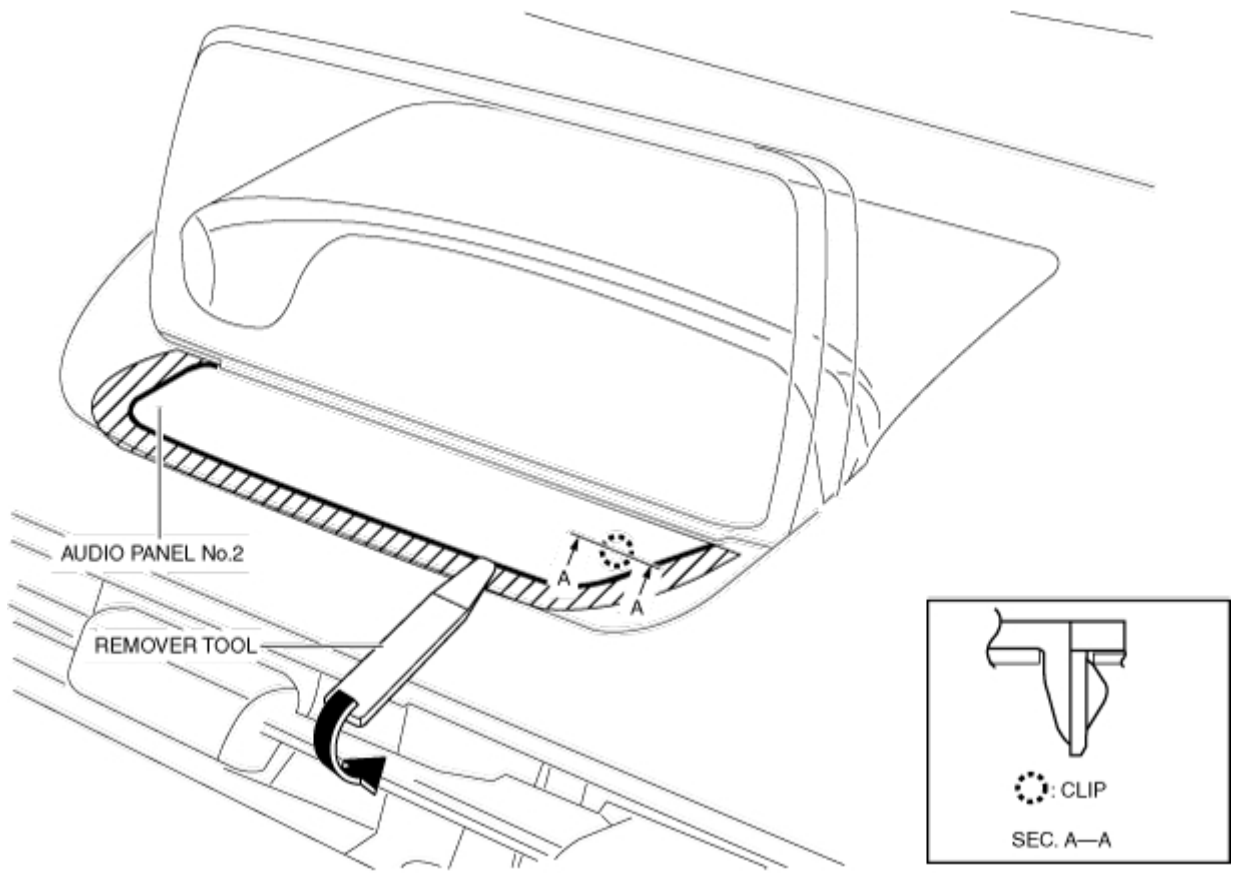
- If work using protective tape is performed in an area where the temperature can increase drastically or the protective tape is left adhered for a long period of time, tape adhesive could remain area where the protective tape was applied when it is peeled off. When applying protective tape, avoid areas where the temperature of the tape can increase drastically and peel off the protective tape soon after the work is completed.

1. To prevent scratches or damage, affix protective tape to the position shown in the figure of the dashboard.



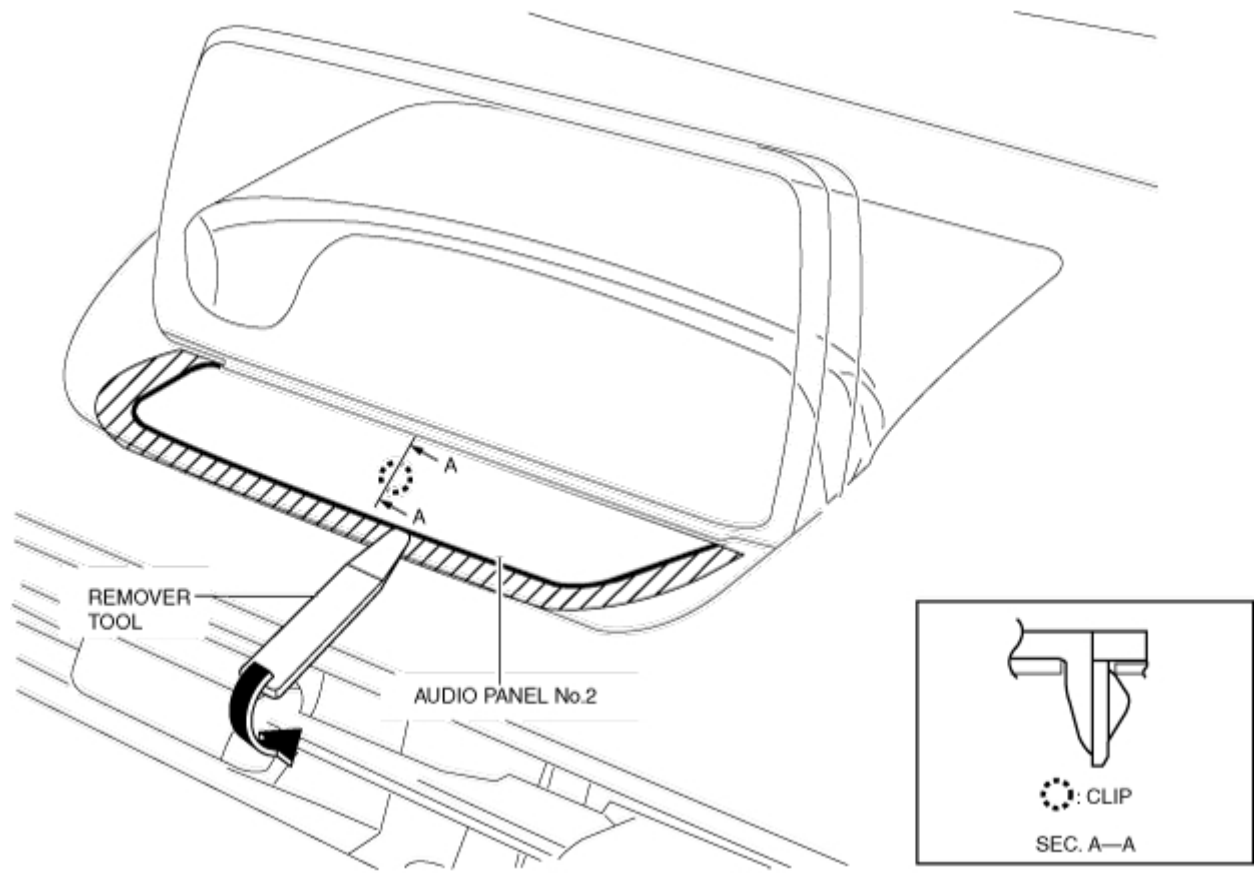
ac3wz00002847

2. Insert the remover tool into the position shown in the figure, move the tool in the direction of the arrow and detach the clip from the dashboard.



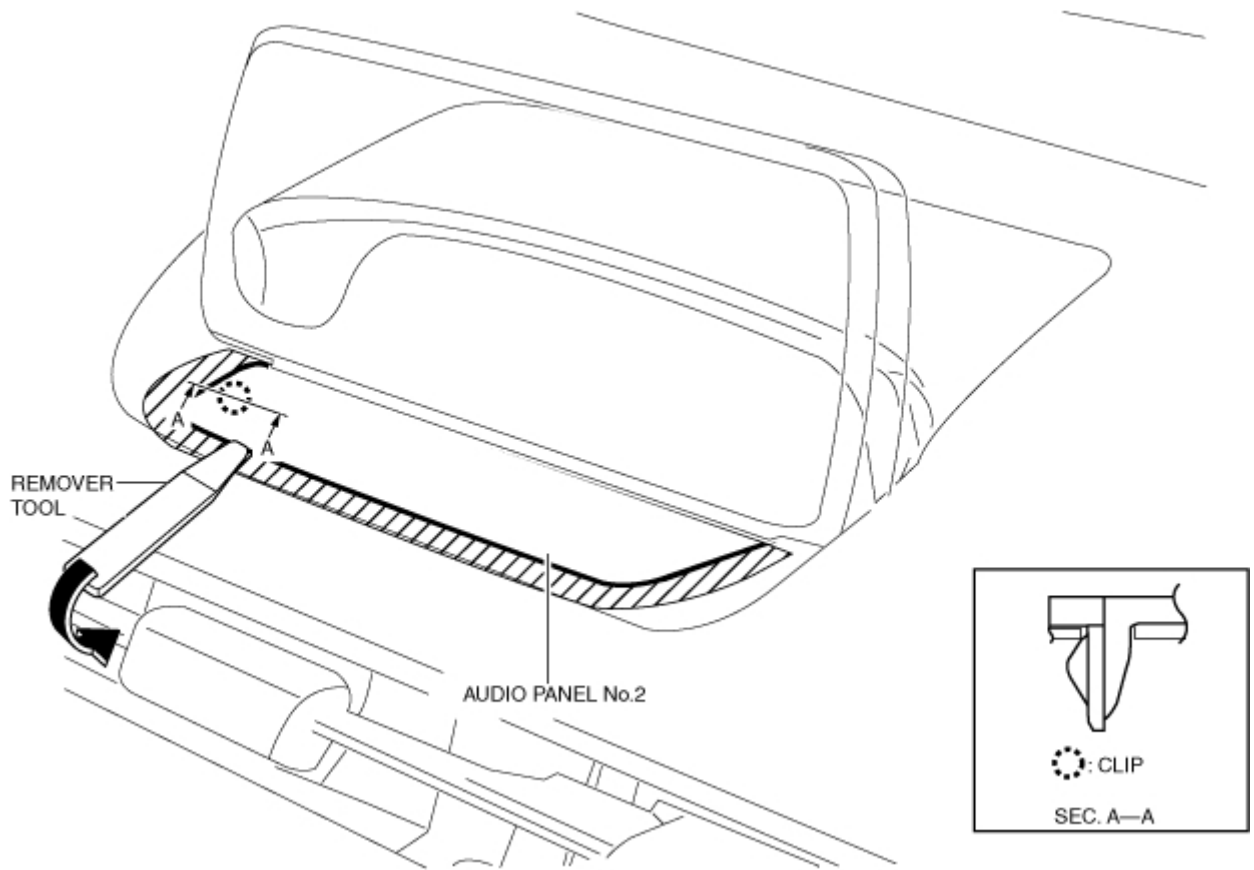
ac3wzw00002848

3. Insert the remover tool into the position shown in the figure, move the tool in the direction of the arrow and detach the clip from the dashboard.

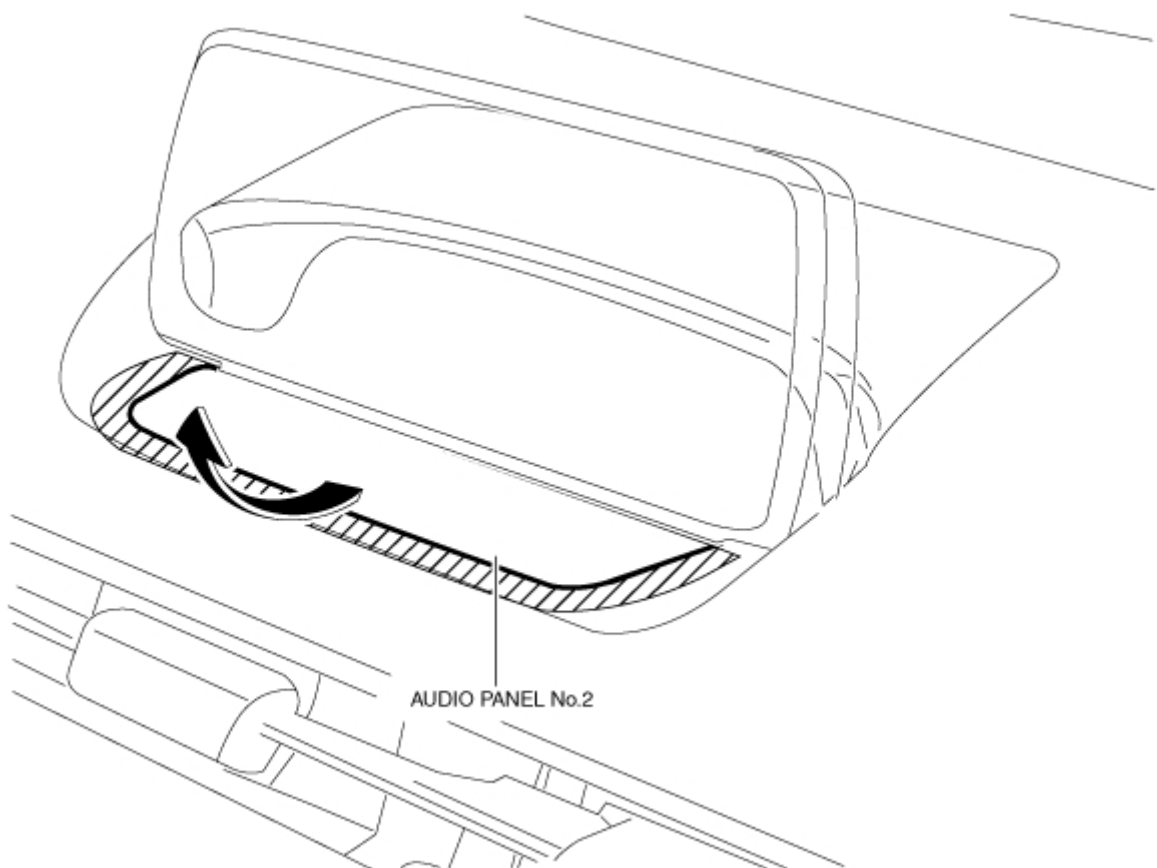


ac3wzw00002849

4. Insert the remover tool into the position shown in the figure, move the tool in the direction of the arrow and detach the clip from the dashboard.



5. Remove audio panel No.2 by pulling it in the direction of the arrow shown in the figure.



6. Install in the reverse order of removal.