

DVD/CD PLAYER REMOVAL

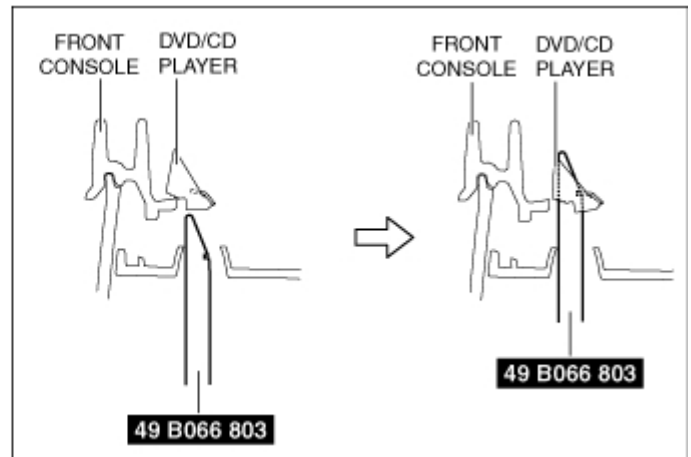
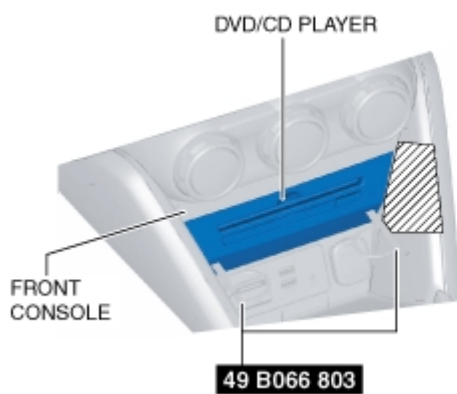
id092000035200

1. Disconnect the negative battery cable. (See [NEGATIVE BATTERY CABLE DISCONNECTION/CONNECTION.](#))
2. Shift the selector lever from the P position to the D position (ATX).
3. To prevent scratches or damage, affix protective tape to the position shown in the figure of the console side panel.



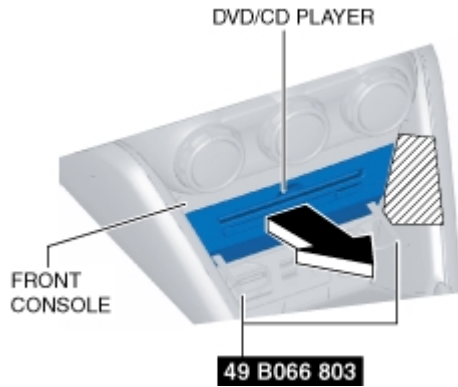
ac3wzw00003886

4. Insert the SSTs (removing tool) into the positions shown in the figure and disengage the DVD/CD player from the front console.



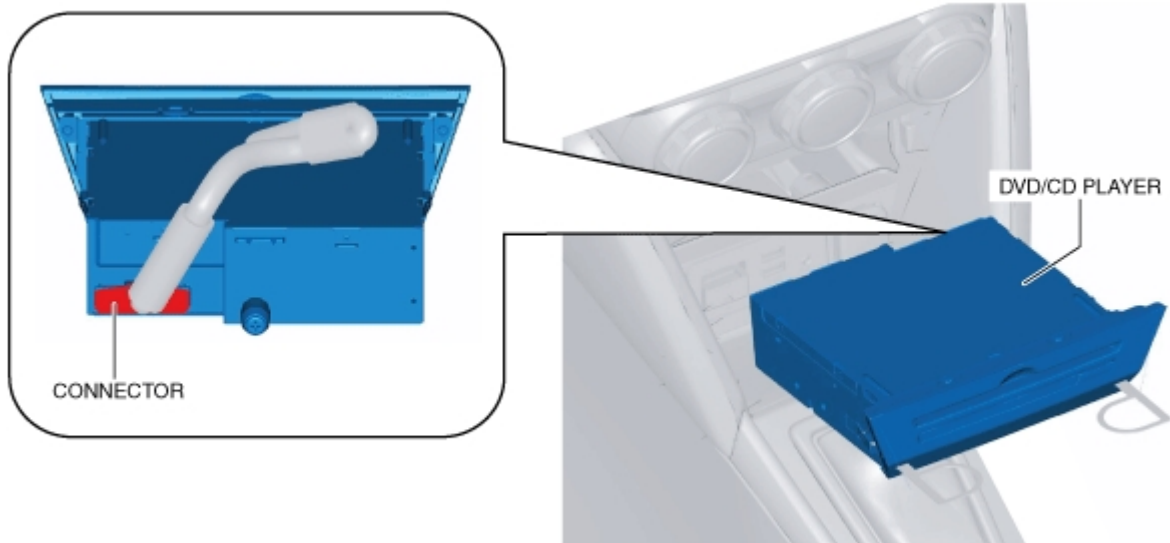
ac3wzw00003887

5. Pull the SSTs (removing tool) in the direction shown in the figure and remove the DVD/CD player from the front console.



ac3wzw00002626

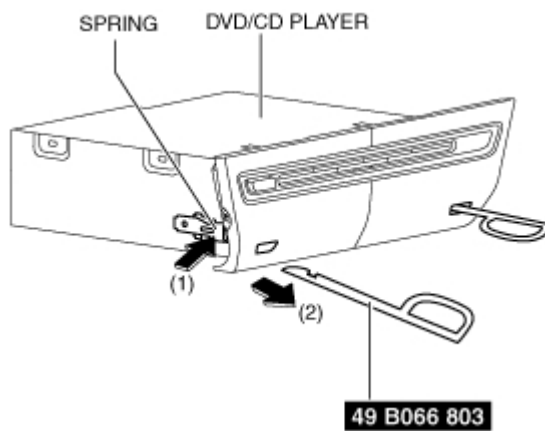
6. Disconnect the connector.



ac3wzw00002627

7. Remove the DVD/CD player.

8. While pulling the SSTs (removing tool) in the direction of arrow (2) shown in the figure, press the DVD/CD player spring in the direction of arrow (1) shown in the figure.



ac3wzw00005303