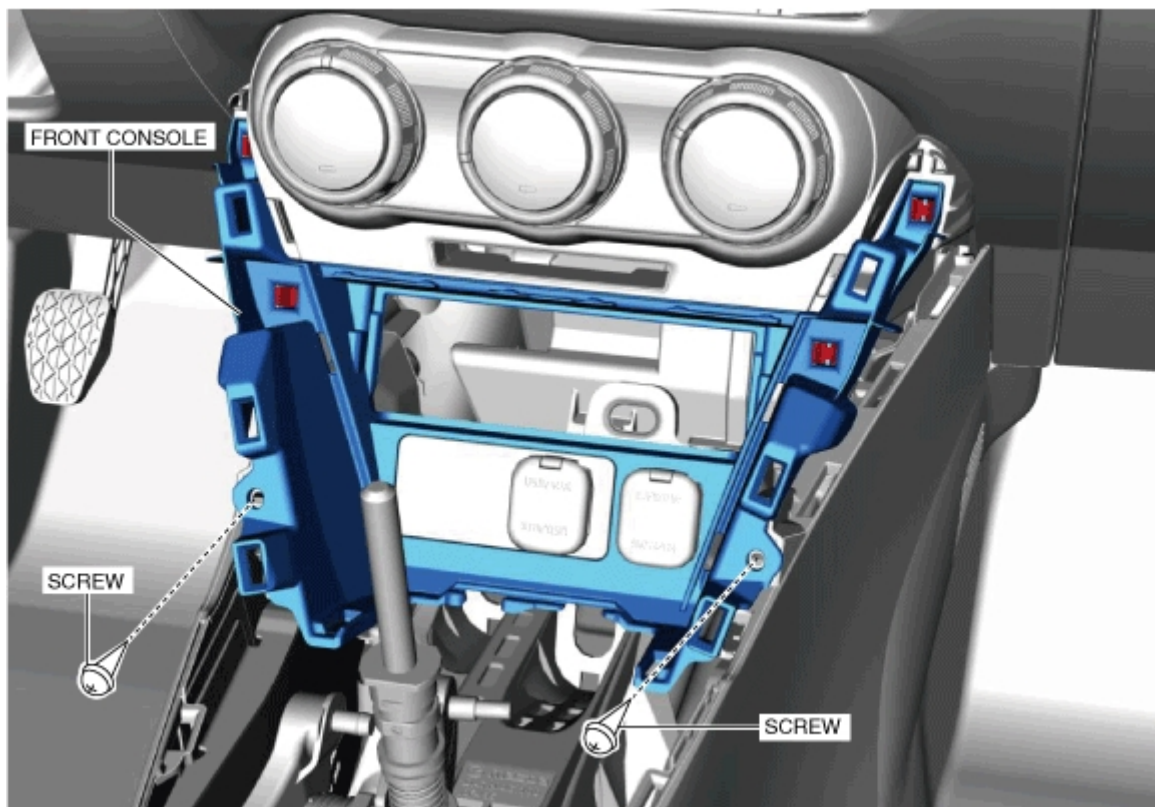


FRONT CONSOLE REMOVAL/INSTALLATION

id091700601900

With Electric Parking Brake

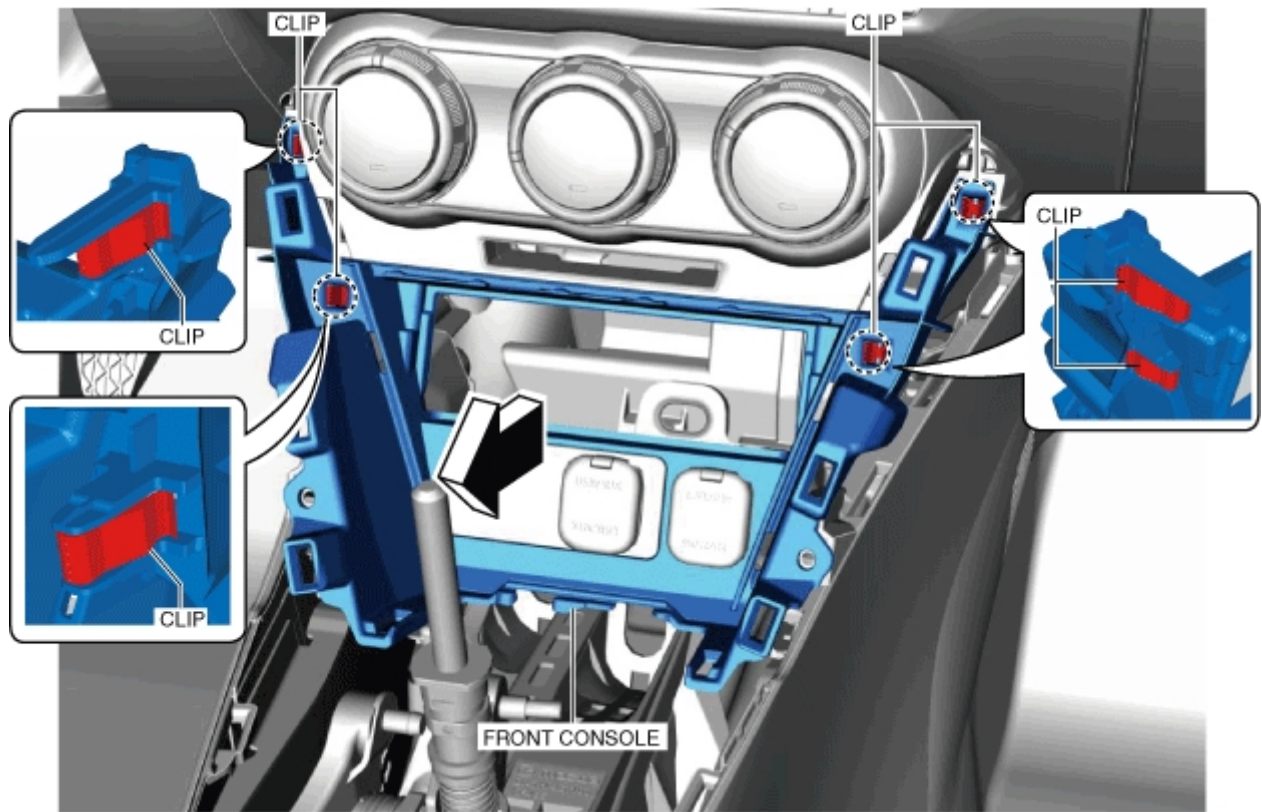
1. Disconnect the negative battery cable.
2. Remove the following parts:
 - (1) Console side panel (See [CONSOLE SIDE PANEL REMOVAL/INSTALLATION.](#))
 - (2) Switch panel No.2 (See [SWITCH PANEL REMOVAL/INSTALLATION.](#))
 - (3) Shift lever knob (MTX) (See [MANUAL TRANSAXLE SHIFT MECHANISM REMOVAL/INSTALLATION \[C66M-R, C66MX-R\].](#))
 - (4) Selector lever knob (ATX) (See [AUTOMATIC TRANSAXLE SHIFT MECHANISM REMOVAL/INSTALLATION.](#))
 - (5) Shift panel (See [SHIFT PANEL REMOVAL/INSTALLATION.](#))
 - (6) CD player (with CD player) (See [CD PLAYER REMOVAL.](#)) (See [CD PLAYER INSTALLATION.](#))
 - (7) DVD/CD player (with DVD/CD player) (See [DVD/CD PLAYER REMOVAL.](#)) (See [DVD/CD PLAYER INSTALLATION.](#))
 - (8) Front console box (See [FRONT CONSOLE BOX REMOVAL/INSTALLATION.](#))
3. Remove the screws.



ac3wzw00002893

4. Remove the front console component in the direction of arrow shown in the figure while detaching

the clips.



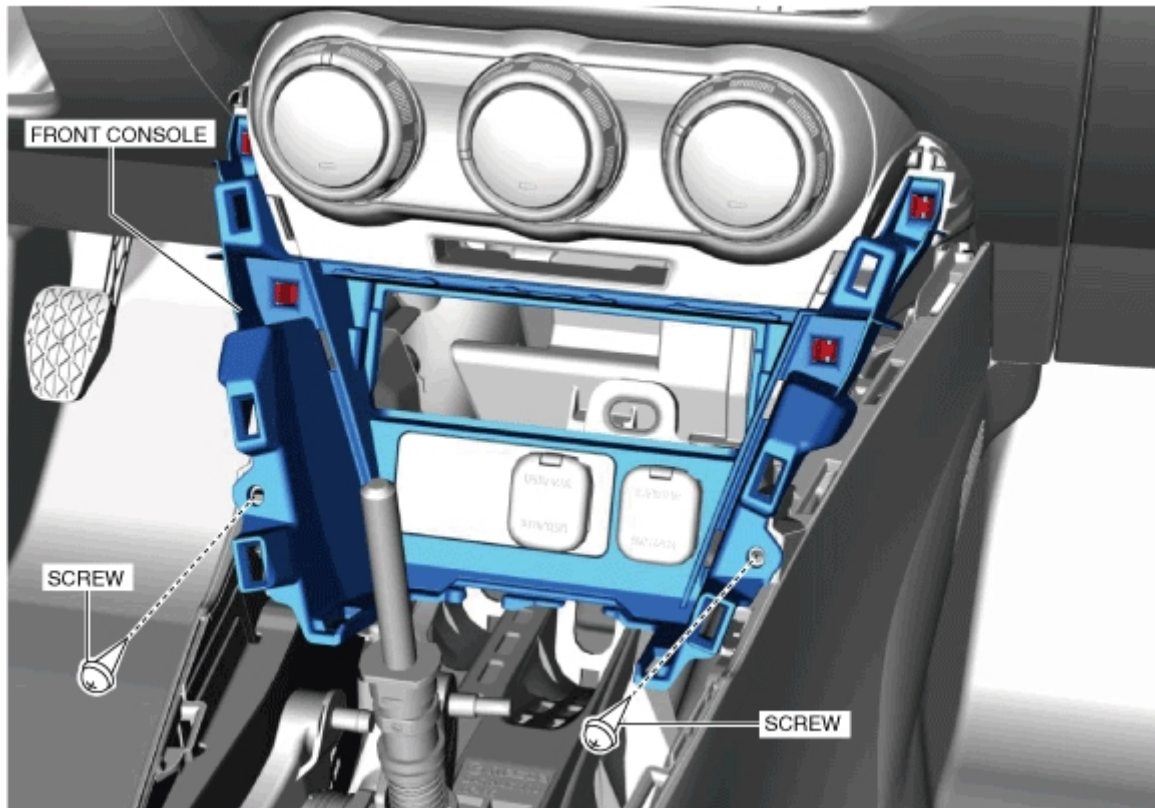
5. Disconnect the auxiliary jack/USB port/SD card slot hub connector. (with center display)
6. Disconnect the connector of the auxiliary jack/USB port terminal. (without center display)
7. Disconnect the accessory socket connector.
8. Install in the reverse order of removal.

Without Electric Parking Brake

1. Disconnect the negative battery cable.
2. Remove the following parts:
 - (1) Center console tray (See [CENTER CONSOLE TRAY REMOVAL/INSTALLATION.](#))
 - (2) Shift bezel (See [SHIFT BEZEL REMOVAL/INSTALLATION.](#))
 - (3) Upper panel (See [UPPER PANEL REMOVAL/INSTALLATION.](#))
 - (4) Selector lever knob (ATX) (See [AUTOMATIC TRANSAXLE SHIFT MECHANISM REMOVAL/INSTALLATION.](#))
 - (5) Shift lever knob (MTX) (See [MANUAL TRANSAXLE SHIFT MECHANISM REMOVAL/INSTALLATION \[C66M-R, C66MX-R\].](#))
 - (6) Shift panel (See [SHIFT PANEL REMOVAL/INSTALLATION.](#))
 - (7) Console side panel (See [CONSOLE SIDE PANEL REMOVAL/INSTALLATION.](#))
 - (8) Front console box (See [FRONT CONSOLE BOX REMOVAL/INSTALLATION.](#))
 - (9) CD player (with CD player) (See [CD PLAYER REMOVAL.](#)) (See [CD PLAYER INSTALLATION.](#))
 - (10) DVD/CD player (with DVD/CD player) (See [DVD/CD PLAYER REMOVAL.](#)) (See

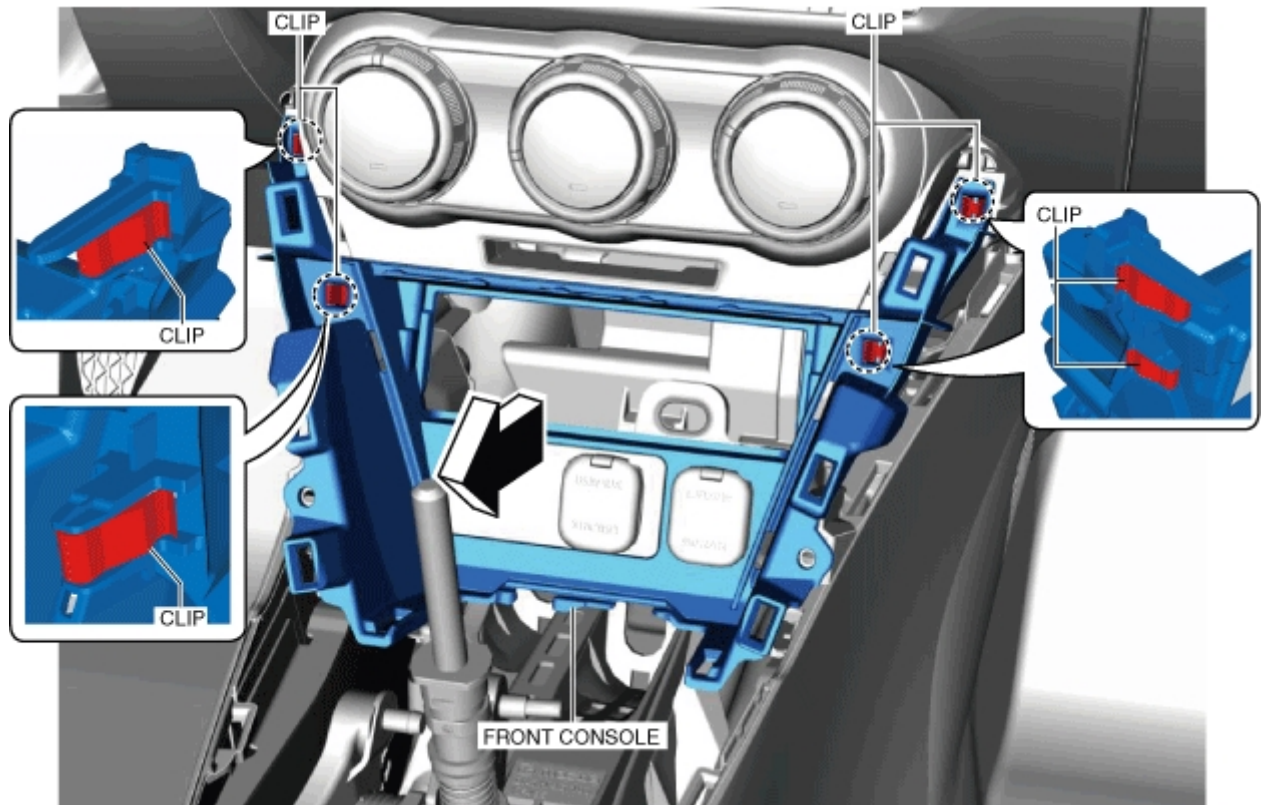
DVD/CD PLAYER INSTALLATION.)

3. Remove the screws.



ac3wzw00002893

4. Remove the front console in the direction of arrow shown in the figure while detaching the clips.



5. Disconnect the auxiliary jack/USB port/SD card slot hub connector. (with center display)
6. Disconnect the connector of the auxiliary jack/USB port terminal. (without center display)
7. Disconnect the accessory socket connector.
8. Install in the reverse order of removal.