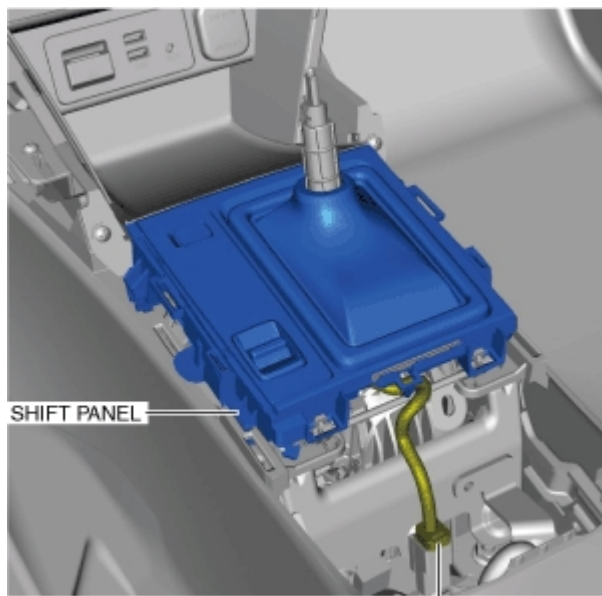


SHIFT PANEL REMOVAL/INSTALLATION

id091700602400

With Electric Parking Brake

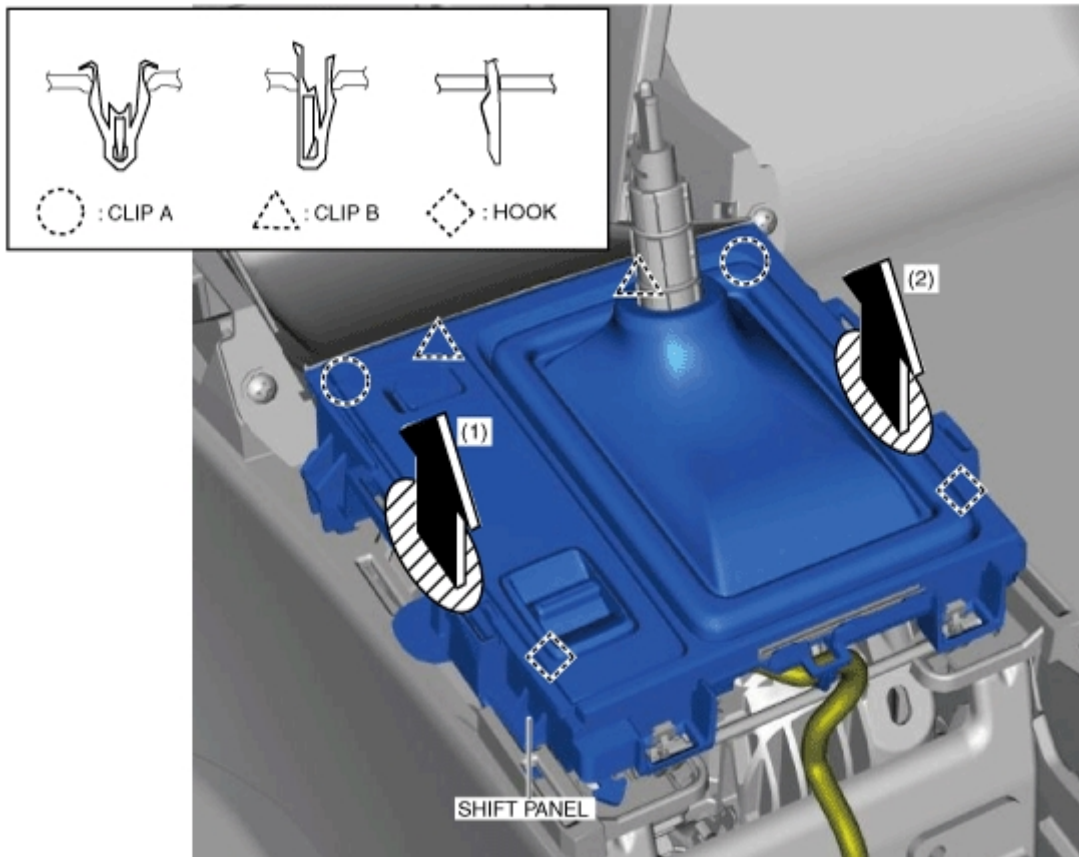
1. Disconnect the negative battery cable.
2. Remove the following parts:
 - (1) Console side panel (See [CONSOLE SIDE PANEL REMOVAL/INSTALLATION.](#))
 - (2) Switch panel No.2 (See [SWITCH PANEL REMOVAL/INSTALLATION.](#))
 - (3) Shift lever knob (MTX) (See [MANUAL TRANSAXLE SHIFT MECHANISM REMOVAL/INSTALLATION \[C66M-R, C66MX-R\].](#))
 - (4) Selector lever knob (ATX) (See [AUTOMATIC TRANSAXLE SHIFT MECHANISM REMOVAL/INSTALLATION.](#))
3. Disconnect the connector. (ATX)



CONNECTOR

ac3uuw00002244

4. Hold the shaded areas shown in the figure, pull shift panel in the order of arrows (1) and (2), and remove it while detaching clips A, clips B, and hooks.



ac3wzw00004358

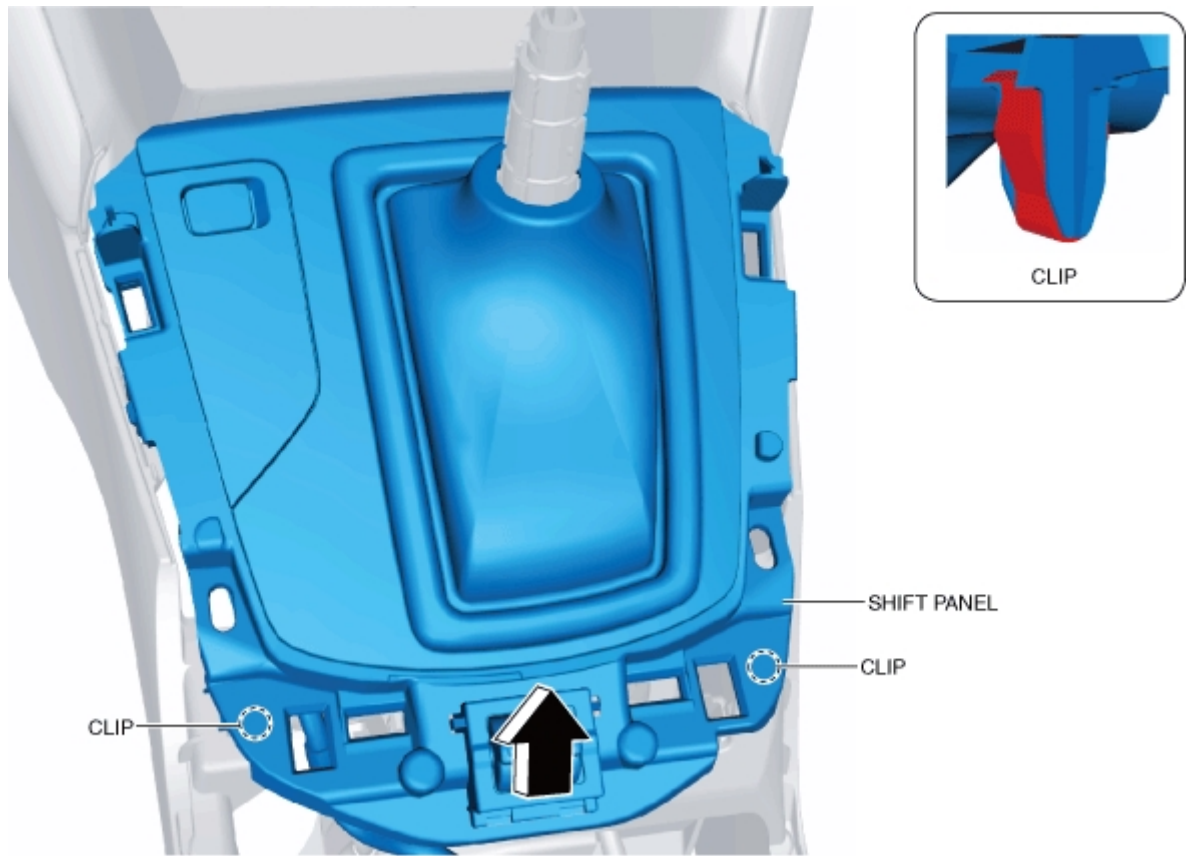
5. Install in the reverse order of removal.

1. Disconnect the negative battery cable.

2. Remove the following parts:

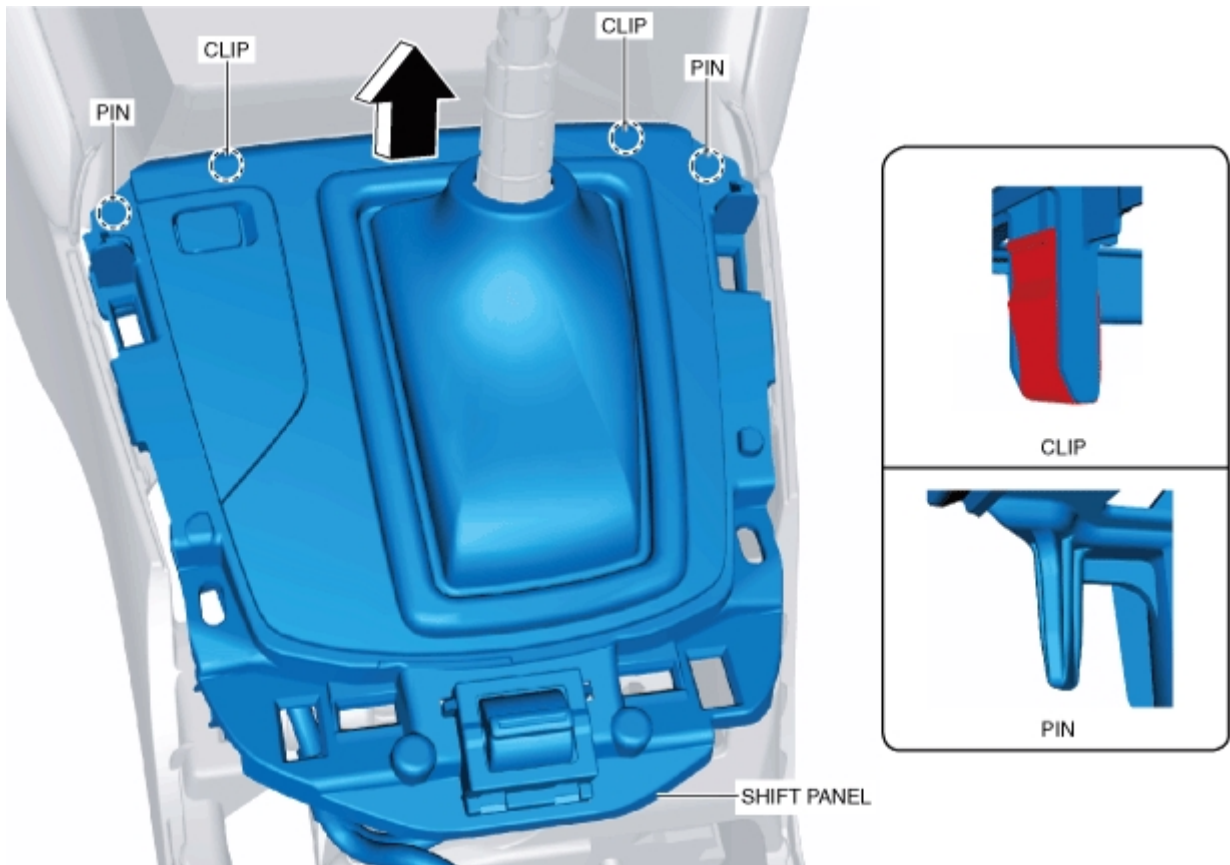
- (1) Center console tray (See [CENTER CONSOLE TRAY REMOVAL/INSTALLATION.](#))
- (2) Shift bezel (See [SHIFT BEZEL REMOVAL/INSTALLATION.](#))
- (3) Upper panel (See [UPPER PANEL REMOVAL/INSTALLATION.](#))
- (4) Shift lever knob (MTX) (See [MANUAL TRANSAXLE SHIFT MECHANISM REMOVAL/INSTALLATION \[C66M-R, C66MX-R\].](#))
- (5) Selector lever knob (ATX) (See [AUTOMATIC TRANSAXLE SHIFT MECHANISM REMOVAL/INSTALLATION.](#))

3. Pull the shift panel in the direction of the arrow shown in the figure and detach the shift panel from the rear console.



ac3wzw00002898

4. Pull the shift panel in the direction of the arrow shown in the figure, detach the clips from the front console box and pull out the pins from the console side panel.



ac3wz00002899

5. Disconnect the shift indicator connector. (ATX)
6. Remove the shift panel.
7. Install in the reverse order of removal.

Note

- When replacing the shift panel, remove the drive selection switch. (ATX) (See [DRIVE SELECTION SWITCH REMOVAL/INSTALLATION \[SKYACTIV-G 2.0\]](#).)